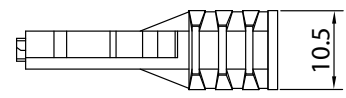
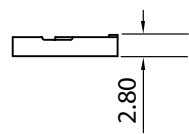
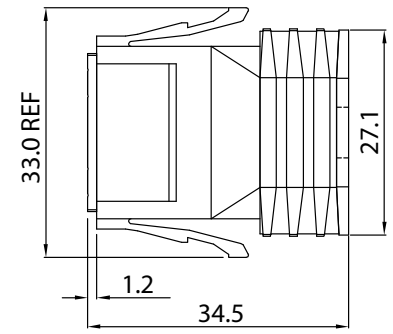
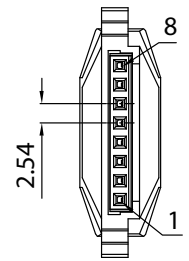
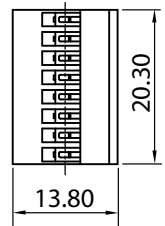
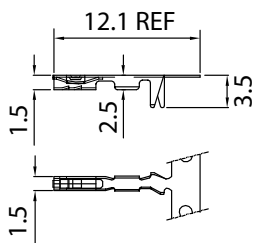


RoHS
2002/95/EC

REVISIONS		
REV	DESCRIPTION	DATE
A	RELEASE FOR QUOTE	11/2006



Note:
 1. All materials conform to EN Directive 2002/95/EC for RoHS compliance.
 Electrical Characteristics:
 Contact Resistance: Terminal 25m Max. and ground terminal 8m Max.
 Insulation Resistance: 100M Min. at 500V DC.
 Dielectric Strength: 750V AC/1 minute.
 Insertion Force: 5.9kgf Max.
 Withdrawal Force: 1.59 ~ 5.9 kgf
 Latch Retention: 9.07 kgf Min.

UNLESS OTHERWISE SPEC'D DIM. ARE IN MILLIMETER. TOL. ARE: FRACTION DECIMAL ANGULAR ± ± .006 1/2°		RoHS DRAWING		THIRD ANGLE PROJECTION		CONQUEST TECHNOLOGY LIMITED				
MATERIAL		APPROVALS		DATE		8 PIN, PoweredUSB, 1X8 LNL, 6.5mm Cable, Pebble Grey - RoHS				
FINISH		DRAWN JOSE		11/06/06		SIZE A		DWG. NO. 371192		REV A
DO NOT SCALE DRAWING						SCALE: N/A		SHEET 1 OF 1		