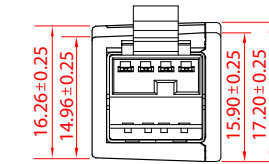
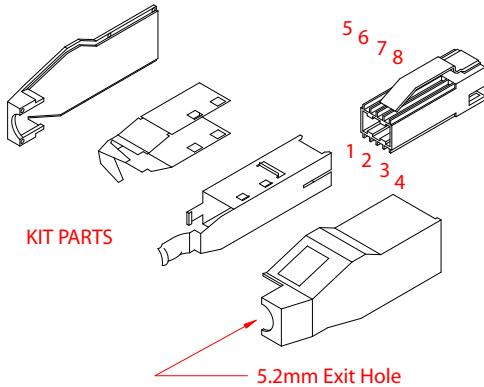
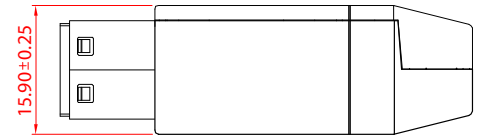
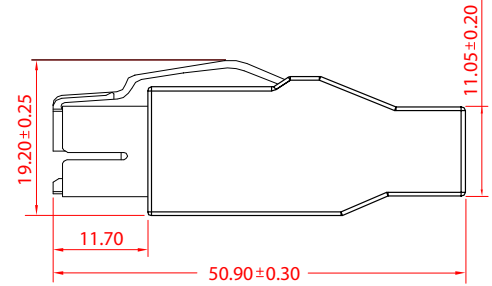




REVISIONS		
REV	DESCRIPTION	DATE
A	RELEASE FOR QUOTE	10/2006



24V KEY POSITION SHOWN



Notes: All materials conform to EN Directive 2002/95/EC for RoHS Compliance.

Electrical characteristics:

Ratings: 3.0A

Contact resistance: 30mΩ Max. (Initial), 400mΩ Max. (After life test)

Insulation resistance: 1000 MΩ min.

Dielectric strength: 750V AC / 1 minute.

Mechanical:

Insertion force: 6.6 kgf max.

Withdrawal force: 1.0 kgf min.

UNLESS OTHERWISE SPEC'D DIM. ARE IN MILLIMETER. TOL. ARE: FRACTION DECIMAL ANGULAR ± ± ± .008 1/2°			THIRD ANGLE PROJECTION			CONQUEST TECHNOLOGY LIMITED				
MATERIAL			APPROVALS			DATE	24V PoweredUSB Plug, Pebble Grey - RoHS			
FINISH		DRAWN Spock		10/05/06	SIZE A	DWG. NO. 371224		REV A		
DO NOT SCALE DRAWING					SCALE: N/A		SHEET 1 OF 1			