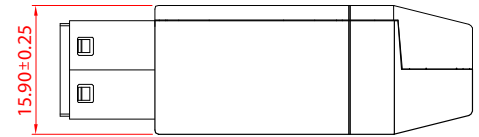
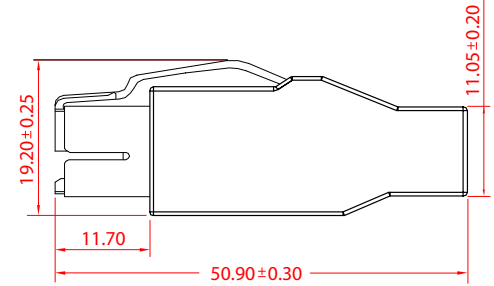
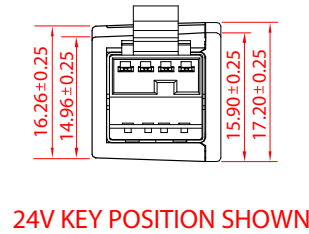
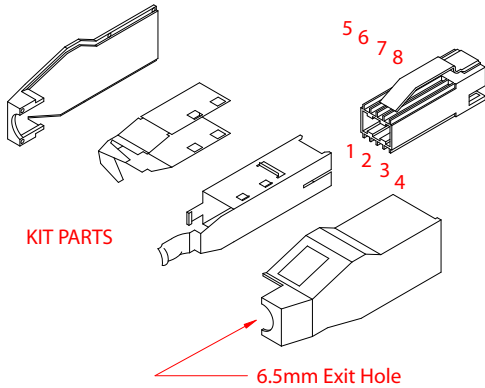


**RoHS**  
2002/95/EC

REVISIONS		
REV	DESCRIPTION	DATE
A	RELEASE FOR QUOTE	10/2006



Notes: All materials conform to EN Directive 2002/95/EC for RoHS Compliance.  
 Electrical characteristics:  
 Ratings: 3.0A  
 Contact resistance: 30mΩ Max. (Initial), 400mΩ Max. (After life test)  
 Insulation resistance: 1000 MΩ min.  
 Dielectric strength: 750V AC / 1 minute.  
 Mechanical:  
 Insertion force: 6.6 kgf max.  
 Withdrawal force: 1.0 kgf min.

UNLESS OTHERWISE SPEC'D DIM. ARE IN MILLIMETER. TOL. ARE: FRACTION DECIMAL ANGULAR ± ± ± .008 1/2"		<b>RoHS</b> DIRECTIVE	THIRD ANGLE PROJECTION	CONQUEST TECHNOLOGY LIMITED		
MATERIAL	APPROVALS	DATE	24V PoweredUSB Plug, Black - RoHS			
FINISH	DRAWN Spock	10/05/06	SIZE A	DWG. NO. 371233	REV A	
DO NOT SCALE DRAWING			SCALE: N/A	SHEET	1 OF 1	