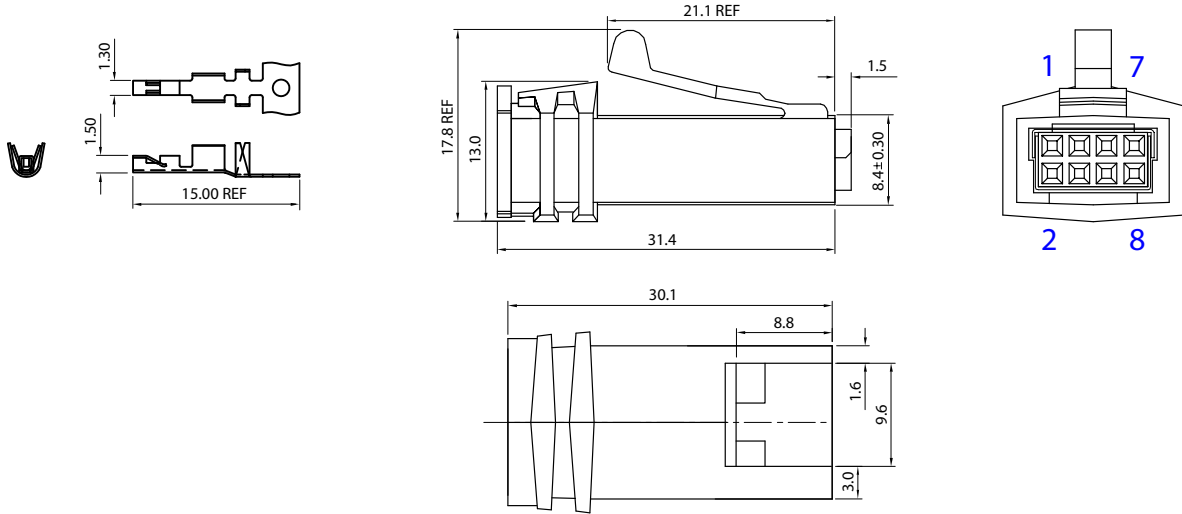




REVISIONS		
REV	DESCRIPTION	DATE
A	RELEASE FOR QUOTE	10/2006



KEY POSITION 2

Note:
 1. All materials conform to EN Directive 2002/95/EC for RoHS compliance.
 Electrical Characteristics:
 Contact Resistance: Terminal 25mΩ Max. and ground terminal 8mΩ Max.
 Insulation Resistance: 100MΩ Min. at 500V DC.
 Dielectric Strength: 750V AC/1 minute.
 Insertion Force: 5.9kgf Max.
 Withdrawal Force: 1.59 ~ 5.9 kgf
 Latch Retention: 9.07 kgf Min.

UNLESS OTHERWISE SPEC'D DIM. ARE IN MILLIMETER. TOL. ARE: FRACTION DECIMAL ANGULAR ± ± .XX ± .XXX 1/2"								CONQUEST TECHNOLOGY LIMITED		
MATERIAL		APPROVALS		DATE		8 Pin Powered USB, 2x4, 24V, 6.5mm Cable, Black - RoHS				
FINISH		DRAWN A. PEREZ		10/30/06		SIZE A		DWG. NO. 371240		REV A
DO NOT SCALE DRAWING						SCALE: N/A		SHEET 1 OF 1		